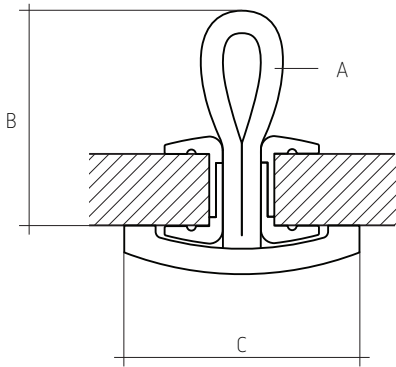


# ROPEYE PRO

The NEW Ropeye Pro comes with a curved pad which distributes live loads evenly across the profile and results in greater strength.



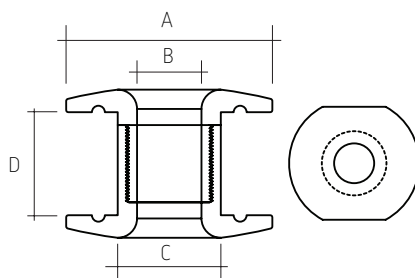
## PADEYE



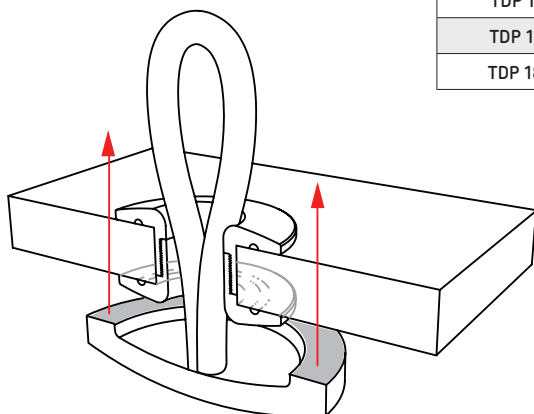
ROPEYE PRO C/B-A	A Rope mm	B Loop mm	C Pad mm	Max Breaking Load kg	Safe Working Load kg	Suitable TDP for loop
ROPEYE PRO 50/40-4	4	40	50	2200	1100	TDP 10
ROPEYE PRO 50/60-4	4	60	50	2200	1100	TDP 10
ROPEYE PRO 50/80-4	4	80	50	2200	1100	TDP 10
ROPEYE PRO 60/60-6	6	60	60	4400	2200	TDP 14
ROPEYE PRO 60/80-6	6	80	60	4400	2200	TDP 14
ROPEYE PRO 60/100-6	6	100	60	4400	2200	TDP 14
ROPEYE PRO 70/80-8	8	80	70	7000	3500	TDP 18
ROPEYE PRO 70/100-8	8	100	70	7000	3500	TDP 18
ROPEYE PRO 70/120-8	8	120	70	7000	3500	TDP 18

**NB!** ALL PRODUCTS AVAILABLE IN GLASS FIBRE

## DOUBLE TDP



TDP B/D	A Head dia mm	B Inner dia mm	C Outer dia mm	D Length mm	Material
TDP 10/10-12	32	10	16	10-12	Anodised Aluminium
TDP 10/12-16	32	10	16	12-16	Anodised Aluminium
TDP 10/16-22	32	10	16	16-22	Anodised Aluminium
TDP 10/22-30	32	10	16	22-30	Anodised Aluminium
TDP 14/10-12	40	14	20	10-12	Anodised Aluminium
TDP 14/12-16	40	14	20	12-16	Anodised Aluminium
TDP 14/16-22	40	14	20	16-22	Anodised Aluminium
TDP 14/22-30	40	14	20	22-30	Anodised Aluminium
TDP 18/10-12	48	18	24	10-12	Anodised Aluminium
TDP 18/12-16	48	18	24	12-16	Anodised Aluminium
TDP 18/16-22	48	18	24	16-22	Anodised Aluminium
TDP 18/22-30	48	18	24	22-30	Anodised Aluminium



© Ropeye is a registered trademark. All rights reserved.  
Ropeye technological design is patented.

[www.ropeye.com](http://www.ropeye.com)